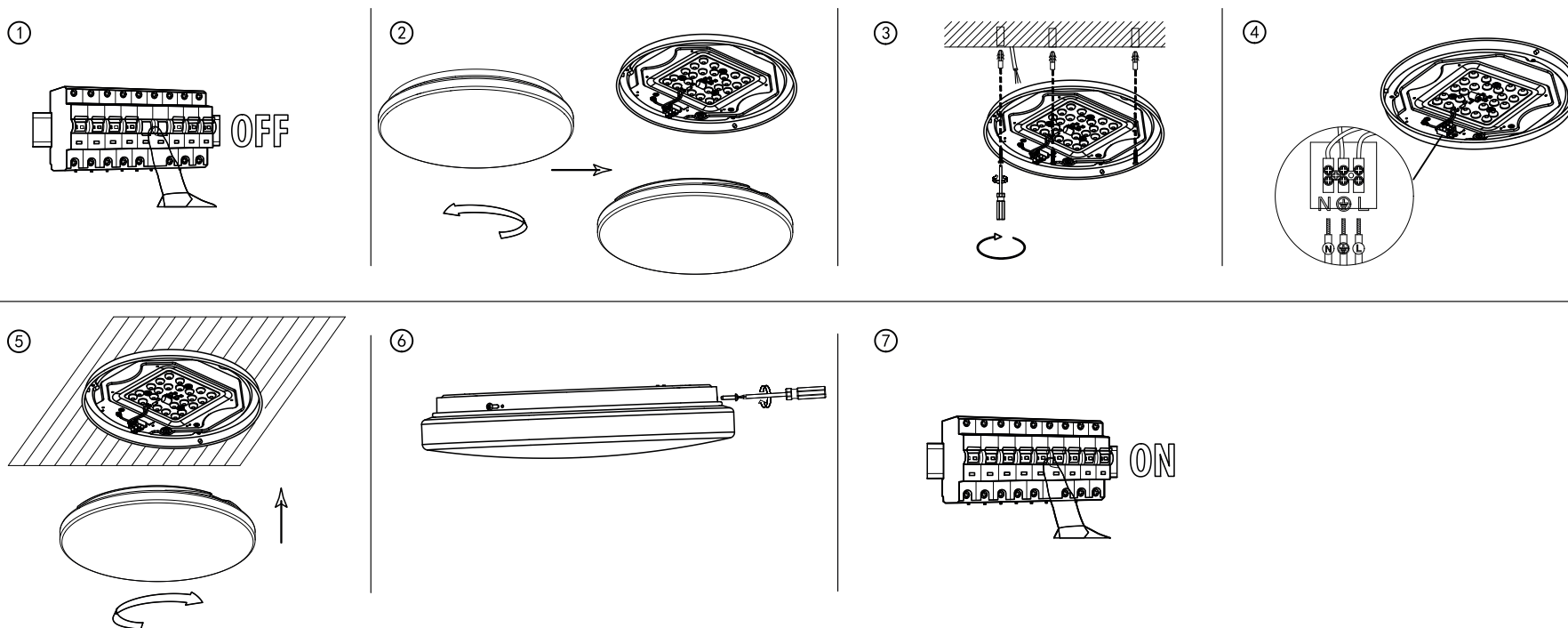


Manual wall and ceiling light

BLULAXA®



Before install the lamp, please read the manual carefully.
Please follow exactly the instructions.

Attantion! Before installation / uninstall turn of the power!

The LED wall and ceiling light may only be used indoors.
The installation may only be carried out by trained specialists!
In order to avoid damage and a reduction in service life, the LED wall and ceiling light must be installed in the right environment (e.g.: dry interior rooms and only in absolutely dry places analogous to IP20).
The LED wall and ceiling light must not be covered, otherwise air circulation will be impaired.
Do not expose the LED wall and ceiling light to heavy soiling or mechanical stress.
Please never show directly in the light.
To avoid fingerprints and handprints on the LED wall and ceiling light, we recommend wearing gloves
You have to dispose the batteries of remote control separately.

The manufacturer is not liable for damage caused by improper installation, operation, maintenance or the use of unsuitable tools.
Please use the supplied accessories for the installation.
We assume no liability for property damage or personal injury caused by improper handling or non-observance of the safety instructions!
In such cases, the guarantee is void, see also below:
www.hwh-electronic.com/garantiebedingungen
Do not make any changes or modifications to the product and its accessories.
We reserve the right to misprints and changes to the product, the packaging or the operating instructions.



HWH Elektronische
Bauteile GmbH
TecCenter 1
31162 Bad Salzdetfurth

MAIL info@hwh-electronic.com
WEB www.hwh-electronic.com
FON +49 (0) 5063 27 12 16
FAX +49 (0) 5063 27 12 12

GF: Wilhelm Haßenpflug, Ellen Haßenpflug
Registernummer: HRB 203167
Umsatzsteuer-ID: DE133556722
WEEE-Rg-Nr.: 68131480

